

# IMPACT ROLLER BEDS

**GOODMAN**  
CONVEYOR

**NEW**

If you've tried impact slider systems unsuccessfully or are concerned with increased H.P. and frictional heat on sliding surfaces.....

But you still need a clean but serviceable transfer point on your conveyors.....

Then you should consider Goodman's **IMPACT ROLLER BEDS.**



**RUGGED** - Constructed of square tubing and heavy plate steel to meet or exceed CEMA impact loads.

- Impact rolls closely spaced to provide more cushioning on impact and better belt support.



**SERVICEABLE** - Wing Roll Modules fold down for access..

- Handles on all modules.
- No need to unbolt base frame so alignment is maintained.



**QUALITY** - Goodman's exclusive Permasel II® non purgable sealing system on all rolls.

- Available in Sealed-for-Life (SL) or individually regreaseable (SLR).
- Both options with extended life, synthetic lubricant.

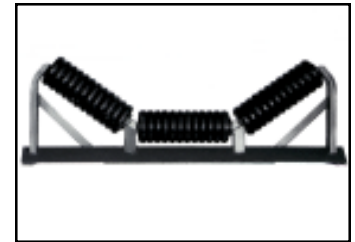
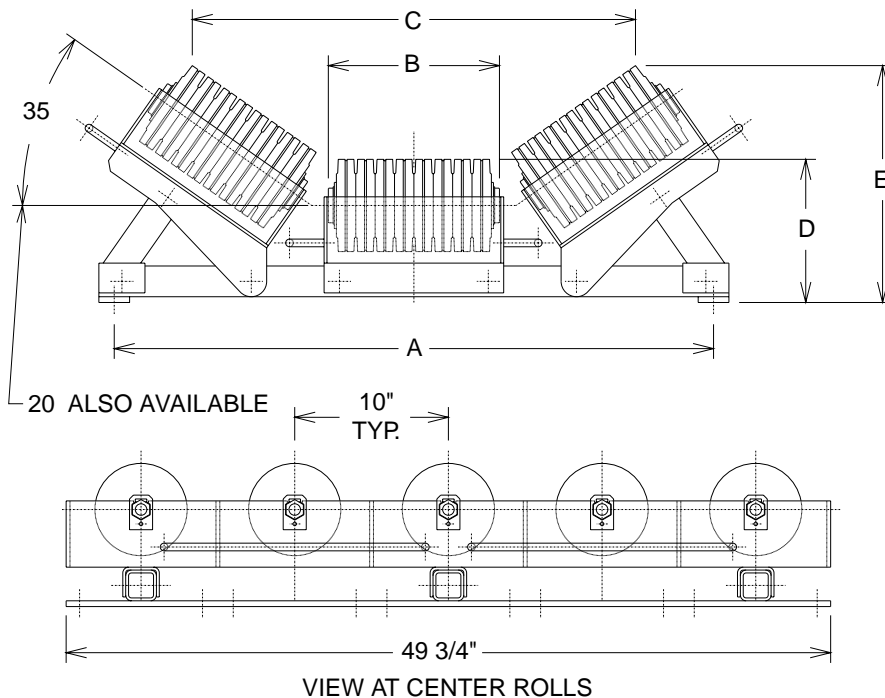


**VERSATILE.**

- Available in CEMA D-6" rolls and CEMA E-7" rolls..
- 20° & 35° Troughing.

# IMPACT ROLLER BEDS.....

.....Another quality addition to Goodman's line of transfer point products



Impact Idlers with Solid or Semi-pneumatic Impact Rolls.



Catenary Impacts



Heavy Duty Impact Bed



Modular Impact/Slider Beds



Slide Seal System

CEMA "D" SERIES								
BW	Model No:	A	B	C	D	E	Rot. Wt.	Tot. Wt.
30	5RB30DSL36A352	39	11 3/16	28 13/16	9 5/16	15 7/16	199.2	470
36	5RB36DSL36A352	45	13 1/4	34 1/4	9 5/16	16 9/16	240.8	540
42	5RB42DSL36A352	51	15 3/8	39 7/8	9 5/8	18 1/8	282.6	640
48	5RB48DSL36A352	57	17 7/16	45 5/16	9 5/8	19 5/16	324.2	716
54	5RB54DSL36A352	63	19 1/2	50 3/4	10	20 7/8	349.2	818
60	5RB60DSL36A352	69	21 5/8	56 3/8	10	22 1/16	391.1	897

CEMA "E" SERIES								
BW	Model No:	A	B	C	D	E	Rot. Wt.	Tot. Wt.
42	5RB42ESL37A352	51	15 3/4	41 1/8	11 1/4	20	469.5	1018
48	5RB48ESL37A352	57	17 3/4	46 3/8	11 1/4	21 3/16	537.0	1141
54	5RB54ESL37A352	63	19 3/4	51 5/8	11 1/4	22 5/16	582.0	1228
60	5RB60ESL37A352	69	21 3/4	56 15/16	11 1/4	23 7/16	649.5	1342
66	5RB66ESL37A352	75	23 3/4	62 3/16	11 1/4	24 5/8	694.5	1430
72	5RB72ESL37A352	81	35 3/4	67 1/2	11 3/4	26 1/4	762.0	1661

Contact factory for certified prints - weights are approximate.

Information on product application, price or availability, contact your local Goodman Distributor or any of the factory sales staff at.....

## GOODMAN CONVEYOR COMPANY

P.O. Box 866 / Route 178 South  
 Belton, South Carolina 29627  
 (864) 338-7793 / Fax (864) 338-8732  
 WEBSITE: [www.goodmanconveyor.com](http://www.goodmanconveyor.com)  
 E-MAIL: [sales@goodmanconveyor.com](mailto:sales@goodmanconveyor.com)